

Beta Sirens

HANDS FREE 100 WATT ELECTRONIC SIREN WITH RADIO REPEAT AND PA



Beta Sirens meet budget sensitive demands for low-cost, 100 watt siren warning performance, public address, radio repeat capability and HANDS-FREE operation.

Extremely versatile, Beta Sirens allow easy set-up and configuration to meet local requirements without special ordering.

FEATURES

- HANDS-FREE operation. Cycle through two or three siren tones without taking your hands from the steering wheel.
- Flexibility. BETA112R remote amplifier works with the BETA1 and BETA2 Control Heads (sold separately) or customer supplied switches or slide switch control systems.
- Five siren tones available. Use up to four tones: Wail, Yelp, Piercer or High-Low and Air Horn.
- Public Address and Radio Repeat, standard.
- PA over-ride in all functions.
- 100 Watt Output.
- Meets Class A requirements with most 100 watt siren speakers.
- Easy to install. Pre-wired with quick disconnect plugs for easy service and fast replacement.
- Conveniently accessible dip switches on remote amplifier allows instant configuration of popular operating features.
- BETA1 Control Head is pre-drilled for under dash mounting and includes noise canceling microphone.

- BETA2 Control Head may be used for surface and recessed mounting applications. For flush installation, a mounting bracket with integral flange is optional.
- Moisture resistant BETA2 Control Head is fully encapsulated, features sealed toggle and rotary switches and includes a removable noise canceling microphone.
- 24 month warranty.

MODELS:

BETA112R:

Remote amplifier only.

BETA1: Control head with noise canceling microphone and 15' cable.

BETA2: Control head with noise canceling microphone and 20' cable.

BETA2BKMT: Mounting bracket with flange for console or recessed mounting for BETA2 Control head. Bracket furnished in black.

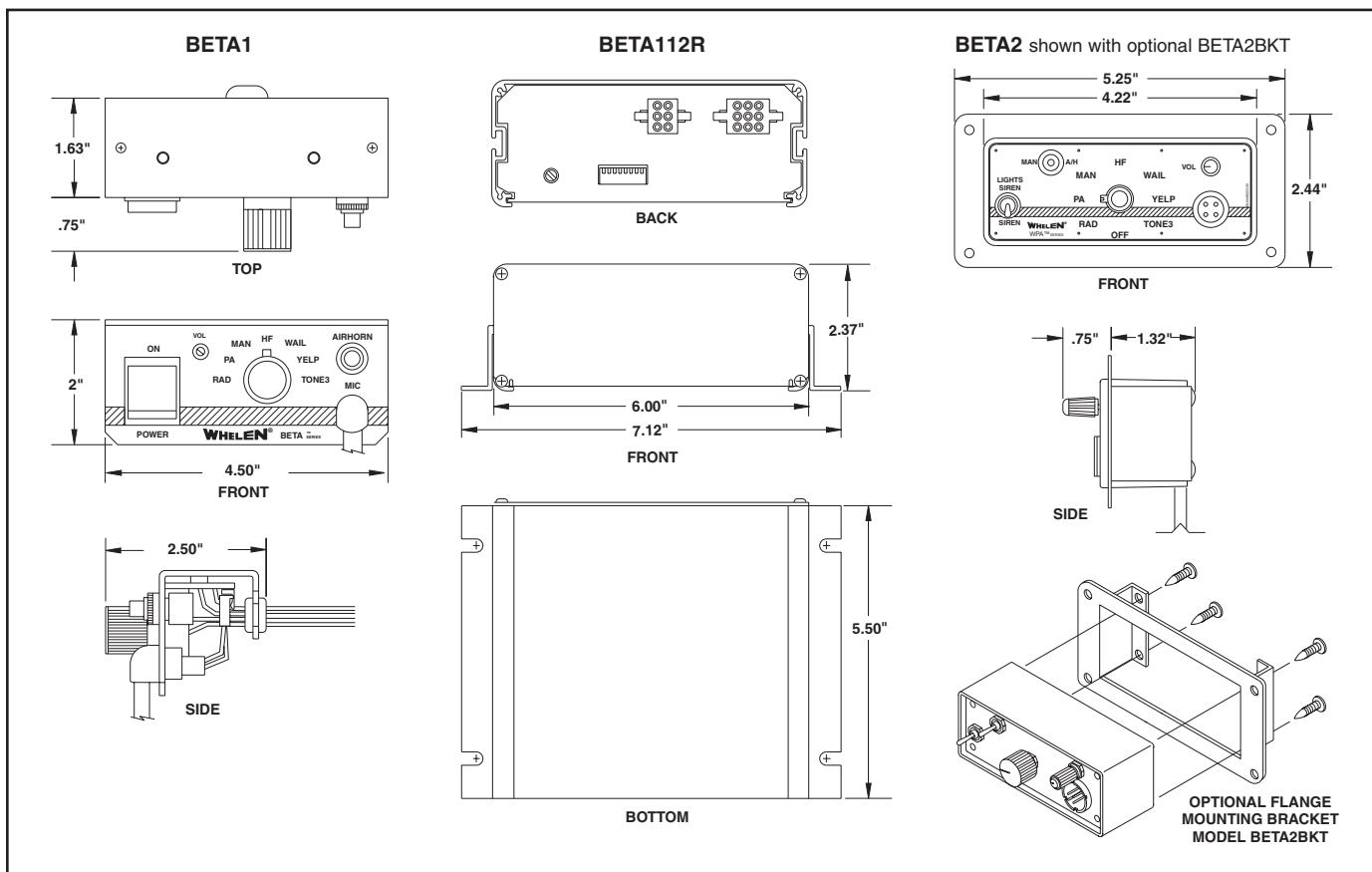
BETAMIC: Remote Microphone for use with Beta112R (using customer supplied switches).

Form# BETA0501

WHELEN[®]
Engineers for the Emergency Warning Industry

HANDS FREE 100 WATT ELECTRONIC SIREN WITH PA - MODELS BETA1, BETA2 & BETA112R

BETA SERIES SPECIFICATIONS



ELECTRICAL, PHYSICAL AND ENVIRONMENTAL DATA

INPUT VOLTAGE	10-16 VDC
POLARITY.....	Negative ground
POLARITY PROTECTION	Crowbar Diode / Fuse
OUTPUT POWER	100 Watts
OUTPUT LOAD	One 11 OHM Speaker
INPUT CURRENT(OFF)	0 ma
INPUT CURRENT(SIREN ON)	8 amps (max)
STANDBY CURRENT.....	140 ma (max)
FUSE	10 amp ATO type
FUSE MOUNTING	Inline connector
OUTPUT SHORT PROTECTION	Fuse
HORN / RING CONTROL.....	+12VDC or ground
WEIGHT (BETA1).....	1.0 lbs (.45 kg)
WEIGHT (BETA112R).....	2.4 lbs (1.1 kg)
OPERATING TEMPERATURE	-30 C TO +60 C
OPERATING HUMIDITY	0-95% Non-condensing
CONNECTOR (BETA REMOTE AMPLIFIER)	One 6 Pin AMP Mate-N-Lok [®] , with 24 wiring pigtail One 9 Pin AMP Mate-N-Lok [®] , with 24 wiring pigtail.
CONNECTORS (BETA 1 CONTROL HEAD).....	One 12 Pin AMP Mate-N-Lok [®] , with 24 wiring pigtail and a 15 interconnect cable.
CONNECTORS (BETA 2 CONTROL HEAD).....	One 12 Pin AMP Mate-N-Lok [®] , with 20 interconnect cable.

SIREN TONES

Tone	Frequency	Sweep Rate
Wail	800Hz - 1750Hz	12 Cycles / Minute
Yelp	800Hz - 1750Hz	180 Cycles / Minute
Piercer	800Hz - 1750Hz	800 Cycles / Minute
Hi/Low*	550Hz - 650Hz	50 Cycles / Minute
Air Horn	600Hz - 1200Hz	Composite

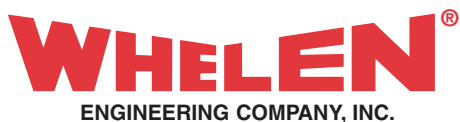
* Hi/Low may be substituted for Piercer Tone via dip switch configuration.

DIP SWITCH CONFIGURATION SELECTIONS

- In HANDS-FREE operation, choose three tone or two tone cycle.
- For tone three, choose Piercer or Hi/Low or No Tone.
- In Manual Siren, choose manual stop or coast down.
- Choose: Piercer to override Yelp or Airhorn to override Yelp.
- Choose: Yelp to override Wail (toggle Yelp/Wail) or Yelp to override Wail for 10 seconds & automatically resume Wail.

Note: Selection of one function may preclude use of another function. Consult Installation and Operation Manual.

Visit us on the Internet at: www.whelen.com



Route 145, Winthrop Road
Chester, Connecticut 06412-0684
(860) 526-9504 • Fax: (860) 526-4078



Whelen Engineering reserves the right to upgrade and improve products without notice.