



Officially Licensed
Warning Lights of
NASCAR®

Guardian™ Series

STROBE, HALOGEN OR Super-LED® MINI LIGHTBARS



G7PCRB
Permanent
Mount

G1VA / G2VA
Magnetic Suction Mount

G8PA
Permanent
Mount

G5MCA
Magnetic
Mount

G8PCAA
Permanent
Mount
(shown lit
and unlit)

G9PA
Permanent
Mount

New sleek styling, superior light output, universal mounting, as well as quiet and reliable operation make the Guardian Series of products your first choice for warning protection.

The Guardian Series is available in halogen, strobe and Super-LED® lighting with permanent, magnetic or “new” magnetic/suction mount variations to meet your every need.

Multi-color configurations available with domes, filter kits or beacons.

HALOGEN

G1 and G2 Series

- Attention getting G1 Series with 135 RPM rotators, or G2 Series with 175 RPM rotators.
- Brilliant full size diamond mirror provides a total of 540 FPM for G1 or 700 FPM for G2.
- High Intensity 55 watt H1 bulbs (12 Volt Version).
- Large, precision engineered, wide-angle reflectors provide maximum intensity at all times.
- Quiet and reliable double ball bearing motor assembly with 3 year full factory warranty.
- Standard 12 VDC (24 VDC available upon request).

STROBE

G5 and G7 Series

- G5 Series with two Class 1, self-contained strobe beacons offer highly effective QuintFlash™ as well as a full sized diamond mirror. Each beacon provides 22-watts output, 19 joules and 72 FPM (288 FPM total).
- G7 Series with two remote strobe heads and built-in remote power supply offers our attention getting, alternating CometFlash® and a 1/2 sized diamond mirror. The built-in strobe power supply provides 40 watts, 12 joules and 120 FPM (480 FPM total).
- Hi/Low intensity control, standard.
- Strobe models are 12-24 VDC.
- Multi-color configuration with clear outer dome and color inner domes.

- 2 year warranty on power supply and 6 month warranty on strobe flash tube.

Super-LED

G8 Series

- Two Super-LED beacons and full size diamond mirror.
- 14 Scan-Lock™ flash patterns to choose from, 75 alternating SignalAlert™ FPM set as default pattern.
- 100,000 hours rated life.
- 1.3 amp draw (peak), 0.52 (average) @ 12.8 VDC.
- SAE J845 Class 2 Certified (amber).
- Clear or color outer dome, clear inner domes with color LEDs.
- 5 year warranty.

LINEAR-LED®

G9 Series

- Super-LED with six single level 400 Series Linear-LED lightheads.
- 100,000 hours rated life.
- 14 Scan-Lock™ flash patterns to choose from, 75 alternating SignalAlert™ FPM set as default pattern.
- 4.5 amp draw (peak), 1.8 (average) @ 12.8 VDC.
- 5 year warranty.

 Super-LED available in red, amber, blue, white

 Strobe & Halogen available in all 6 safety colors

Form# GUAR0707



Designed
& Manufactured
in the U.S.A.

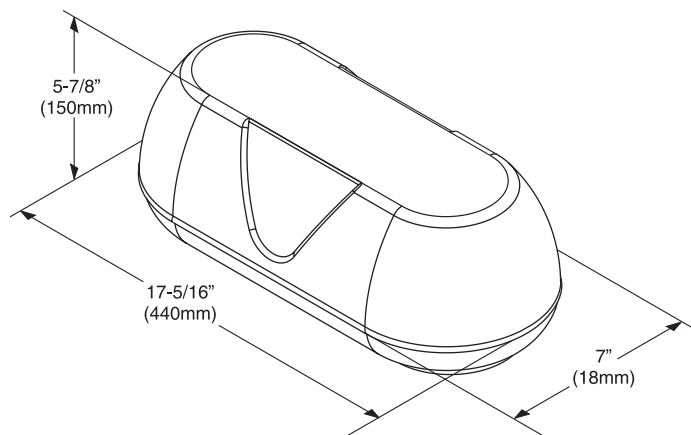
WHELEN®

Engineers for the Emergency Warning Industry

GUARDIAN SERIES MINI LIGHTBARS

GUARDIAN™ SERIES SPECIFICATIONS

- Permanent bolt mount versions include 6" pigtail.
- Magnetic mount versions include four 50 lb. pull magnetics, 8' straight cord and cigar plug.
- Magnetic/suction mount versions includes two 110 lb pull magnets overcoated with non-marring rubber with suction control. Includes 8' straight cord and cigar plug.

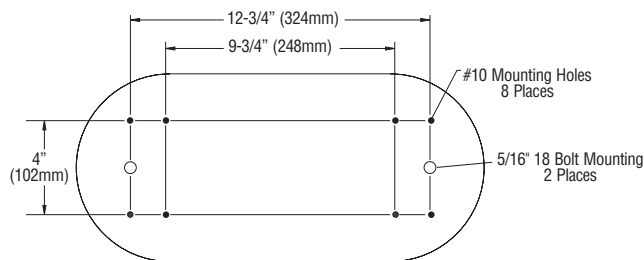


OPTIONS

- G1MM9090 lb. pull magnetic mount kit with cigar plug for G1, G2 and G5 Series.
- G7MM9090 lb. pull magnetic mount kit with cigar plug for G7 and G8 Series.
- INSTLRDX....Installation of G1MM90 or G7MM90 magnetic mount kit, permanent mount models only.
- KCF*Inner filter kit for G1/G2 Series halogen models, customer installed. (Use with clear outer dome.)

MOUNTING

Guardian Series has choice of mounting holes.



The use of any magnetic or magnetic/suction mounted warning beacon on the outside of a moving vehicle is not recommended and is at the sole risk of the user.

HALOGEN MODELS



G1 Series

Includes two 135 RPM rotators and full size diamond mirror.

G1M*magnetic mount.

G1P*permanent mount.

G1V*magnetic/suction mount.

G2 Series

Includes two high speed 175 RPM rotators and full size diamond mirror

G2M*magnetic mount.

G2P*permanent mount.

G2V*magnetic/suction mount.

STROBE MODELS



G5 Series

Includes two 2022 strobe beacons and full size diamond mirror.

G5M*magnetic mount, color outer dome.

G5P*permanent mount, color outer dome.

G5V*magnetic/suction mount, color outer dome.

G5MC** ..magnetic mount, clear outer dome, color inner domes.

G5PC** ..permanent mount, clear outer dome, color inner domes.

G5VC** ..magnetic/suction mount, clear outer dome, color inner domes.

G7 Series

Includes two remote strobe beacons, one built-in 40 watt power supply and half size diamond mirror.

G7M*magnetic mount, color outer dome.

G7P*permanent mount, color outer dome.

G7V*magnetic/suction mount, color outer dome.

G7MC** ..magnetic mount, clear outer dome, color inner domes.

G7PC** ..permanent mount, clear outer dome, color inner domes.

G7VC** ..magnetic/suction mount, clear outer dome, color inner domes.



Super-LED® MODELS



G8 Series

Includes two Super-LED beacons, full size diamond mirror and clear inner domes (color is created by LED beacon color).

G8M*magnetic mount, color outer dome.

G8P*permanent mount, color outer dome.

G8V*magnetic/suction mount, color outer dome.

G8MC** ..magnetic mount, clear outer dome.

G8PC** ..permanent mount, clear outer dome.

G8VC** ..magnetic/suction mount, clear outer dome.

G9 Series

G9M*magnet mount, clear outer dome.

G9P*permanent mount, clear inner lenses

G9V*magnetic/suction mount, color outer dome,clear inner lenses



*Replace symbol in model number with letter indicating dome or LED color desired:
A=Amber, B=Blue, C=Clear, R=Red, V=Purple.



Route 145, Winthrop Road
Chester, Connecticut 06412-0684
(860) 526-9504 • Fax: (860) 526-4078
www.whelen.com



Whelen Engineering reserves the right to upgrade and improve products without notice.